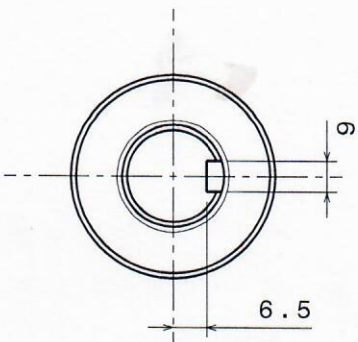
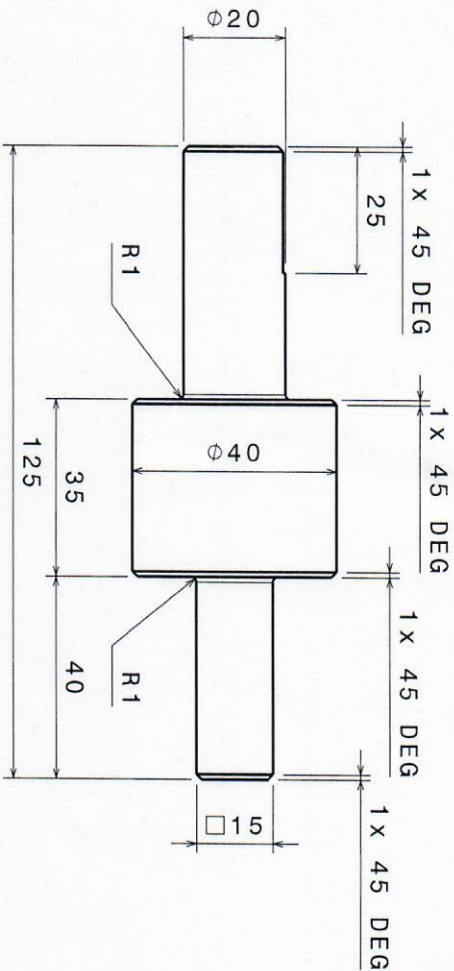


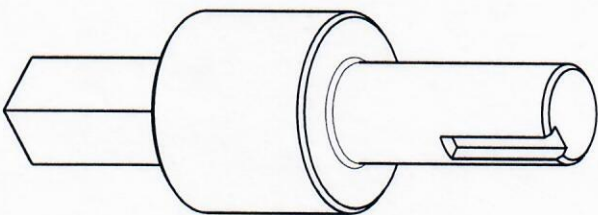
Front view
Scale: 1:1



Right view
Scale: 1:1



Isometric view
Scale: 1:1

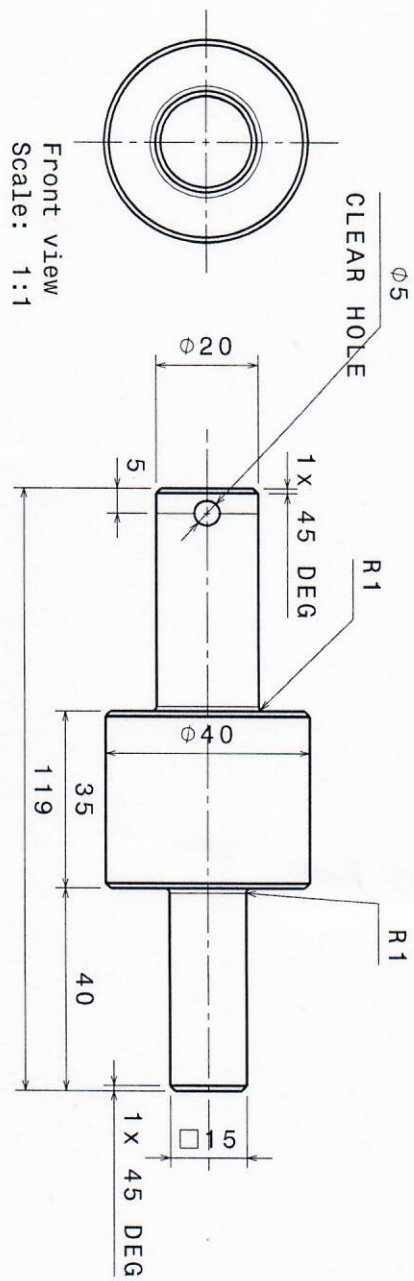


MATERIAL: ULTEM 2100 STD
QUANTITY: 01

NOTE:

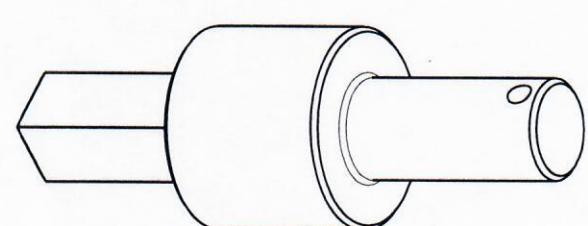
1. ALL THREADS INSERT TO BE USED
2. ALL SHARP EDGES TO BE REMOVED AND REPLACED BY CHAMFER OF 1X45 DEG
3. FLATNESS VALUES ARE NOT TO EXCEED 3 MM/METER ON ANY UNSPECIFIED SURFACE
4. ROUGHNESS OF ALL UNSPECIFIED SURFACES DO NOT EXCEED Ra 8.3µm
5. ALL UNSPECIFIED TOLERANCE TO BE CONSIDERED AS PER ISO 2768-1:1989

DRAW NO: 12		REV DATE		REV NO		REV DATE		REV NO	
LINKED EVS PT ID		01/05/2017		01		01/05/2017		01	
PDS TITLE		SCALE		MTS		SCALE		MTS	
APPROVED BY		P A/ESH		CHECKED BY		P A/ESH		NO. OF SHEETS	
CONTROLLED BY		P A/ESH		DRAWN BY		P A/ESH		NO. OF SHEETS	
RELEASED BY		P A/ESH		DRAUGHTSMAN		P A/ESH		NO. OF SHEETS	
INSTITUTE FOR PLASMA RESEARCH		CONFIDENTIAL UNLESS AUTHORISED		DRAWING TITLE		12 INCH 3 PORT SWITCH		SHEET REVISION	
The information on this drawing is confidential under the terms of the IPRR India agreement. This information shall not be transmitted to anyone who is not authorised to receive it.		IC ROTATING BOTTOM SUPPORT		DRAWING NUMBER		II/ICH/SW/06		REVISION	
01		01		01		01		01	



Front view
Scale: 1:1

Right view
Scale: 1:1



Isometric view
Scale: 1:1

MATERIAL:ULTEM 2100 STD
QUANTITY: 01

- NOTE:
- 1.ALL THREADS INSERT TO BE USED
 - 2.ALL SHARP EDGES TO BE REMOVED AND REPLACED BY CHAMFER OF 1x45 DEG
 - 3.FLATNESS VALUES ARE NOT TO EXCEED 3 MM/METER ON ANY UNSPECIFIED SURFACE
 - 4.ROUGHNESS OF ALL UNSPECIFIED SURFACES DO NOT EXCEED Ra 8.3µm
 - 5.ALL UNSPECIFIED TOLERANCE TO BE CONSIDERED AS PER ISO 2768-1:1989

DRAWING TITLE		Institute for Plasma Research	
LINKED REV PT ID		APPROVED BY	
PNS TITLE		P A/ESH	
REV DATE		CHECKED BY	
01/05/2017		P A/ESH	
SHEET SIZE		DRAWN BY	
NTS		P A/ESH	
SCALE		NO. OF SHEETS	
NTS		01	
PT STATUS		CONTROLLED BY	
PT STATUS		P A/ESH	
PT STATUS		DRAWING NUMBER	
PT STATUS		II/ICH/SW/05	
PT STATUS		SHEET REVISION PR. SYNO	
PT STATUS		01	
PT STATUS		DRAWING TITLE	
PT STATUS		IC ROTATING TOP SUPPORT	
PT STATUS		12_INCH 3 PORT SWITCH	
PT STATUS		SHEET REVISION PR. SYNO	
PT STATUS		01	
PT STATUS		DRAWING NUMBER	
PT STATUS		II/ICH/SW/05	
PT STATUS		SHEET REVISION PR. SYNO	
PT STATUS		01	

